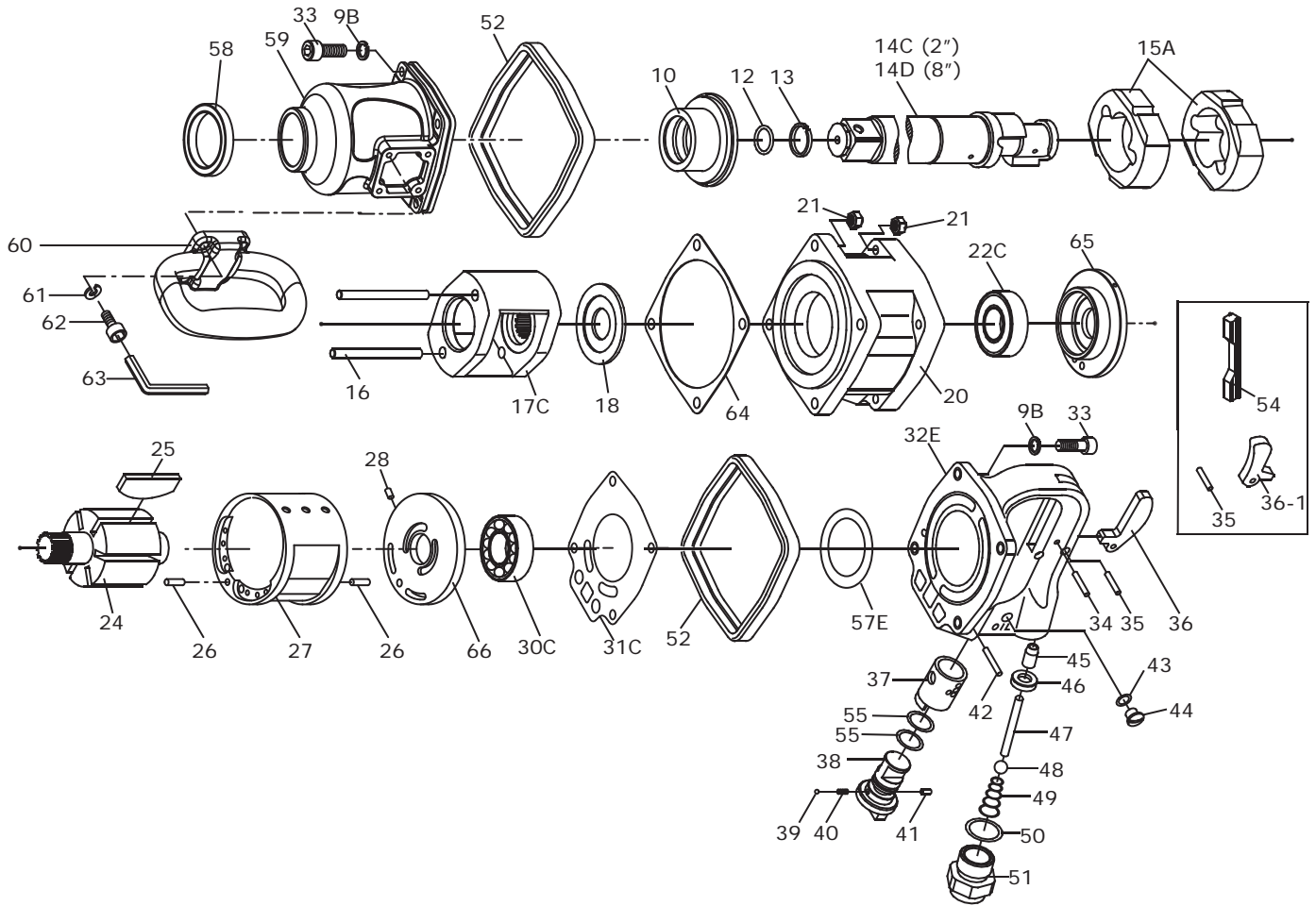


Technical Details	Speed RPM	Square Drive	Max. Torque Nm/ft-lb	Length mm/inch	Weight kg/lb	Air Consumption LPM / CFM	Air Inlet inch	Working Pressure Bar / PSI
28200	4,000	I	2,200 (2,985)	536 (21.1)	10.7 (23.5)	340 (12)	1/2	6.2 (90)
28201			2,200 (2,985)	380 (15.0)	9.3 (20.5)			



Index No.	Description	Quantity	Index No.	Description	Quantity	Index No.	Description	Quantity
9B	Spring Washer	8	30C	Ball Bearing	1	47	Valve Stem	1
10	Anvil Bushing	1	31C	Rear Gasket	1	48	Steel Ball	1
12	O-Ring	1	32E	Handle Frame	1	49	Spring	1
13	Anvil Collar	1	33	Cap Screw	8	50	O-Ring	1
14C	2" Anvil	1	34	Spring Pin	1	51	Air Inlet	1
14D	8" Anvil	1	35	Pin	1	52	Housing Band	2
15A	Hammer	2	36	Trigger	1	54	Rubber Protector	1
16	Hammer Pin	2	36-1	Inner Trigger	1	57E	Gasket	1
17C	Hammer Cage	1	37	Reverse Valve Bushing	1	58	Oil Seal	1
18	Rear Washer	1	38	Regulator	1	59	Hammer Case	1
20	Motor Housing	1	39	Steel Ball	1	60	D-type Handle	1
21	Lock Nut	8	40	Spring	1	61	Spring Washer	4
22C	Ball Bearing	1	41	Spring Pin	1	62	Cap Screw	4
24	Rotor	1	42	Spring Pin	1	63	Hex. Wrench	1
25	Rotor Blade	6	43	O-Ring	1	64	Front Gasket	1
26	Spring Pin	2	44	Oil Chamber Screw	1	65	Rear End Plate	1
27	Cylinder	1	45	Valve Bushing	1	66	Front End Plate	1
28	Spring Pin	1	46	Bushing	1			