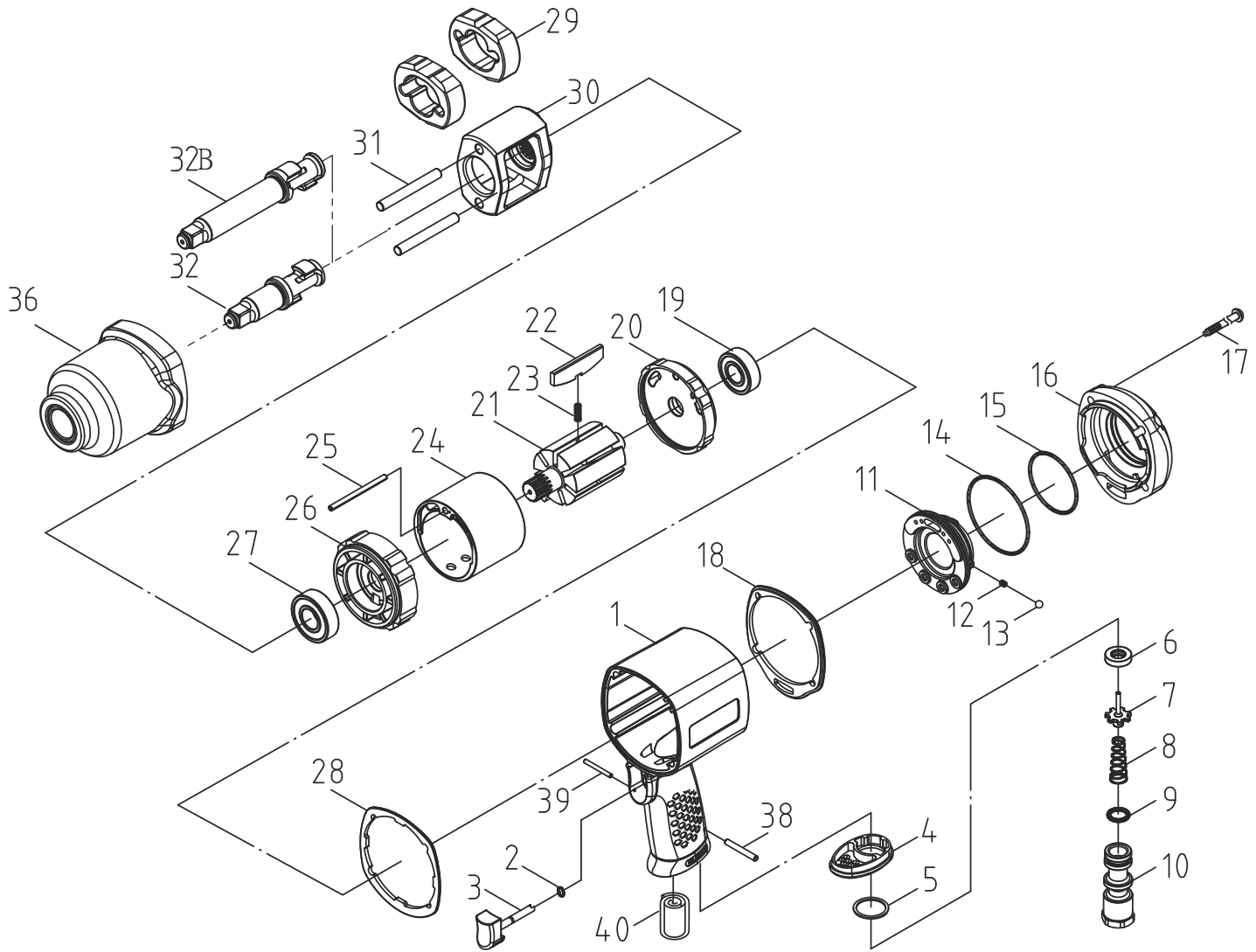


| Technical Details | Speed | Square Drive | Max. Torque | Length | Weight | Air Consumption | Air Inlet | Noise (DB) | Uncertainty(DB) | Vibration | Working Pressure |
|-------------------|-------|--------------|-------------|-------------|-------------|-----------------|-----------|------------|-----------------|------------------|------------------|
| | RPM | | Nm/ft-lb | mm/inch | kg/lb | LPM / CFM | inch | LpA LwA | KpA KwA | m/s ² | Bar / PSI |
| 26204 | 5,500 | 3/4 | 2236 (1650) | 220 (8.66) | 3.7 (8.1) | 299.2 (10.57) | 3/8 | 96.9 107.9 | 3 | 8.63 | 6.2 (90) |
| 26204L | | | | 372 (14.66) | 3.94 (8.67) | | | 91.3 102.3 | | 7.31 | |



| Index No. | Description | Quantity | Index No. | Description | Quantity | Index No. | Description | Quantity |
|-----------|-------------------|----------|-----------|--------------|----------|-----------|------------------|----------|
| 1 | Housing | 1 | 15 | O-Ring | 1 | 29 | Hammer | 2 |
| 2 | O-Ring | 1 | 16 | Cover | 1 | 30 | Hammer Cage | 1 |
| 3 | Trigger | 1 | 17 | Screw | 4 | 31 | Hammer Pin | 2 |
| 4 | Exhaust Deflector | 1 | 18 | Packing | 1 | 32 | Anvil Set | 1 |
| 5 | Washer | 1 | 19 | Ball Bearing | 1 | 32B | 6" Anvil Set | 1 |
| 6 | Oil Seal | 1 | 20 | Rear Plate | 1 | 36 | Front Casing Set | 1 |
| 7 | Pin Valve Rod | 1 | 21 | Rotor | 1 | 38 | Spring Pin | 1 |
| 8 | Cone Spring | 1 | 22 | Blade | 6 | 39 | Spring Pin | 1 |
| 9 | O-Ring | 1 | 23 | Spring | 6 | 40 | Muffler Filter | 1 |
| 10 | Air Inlet | 1 | 24 | Cylinder | 1 | | | |
| 11 | Reverse Lever | 1 | 25 | Spring Pin | 1 | | | |
| 12 | Spring | 1 | 26 | Front Plate | 1 | | | |
| 13 | Steel Ball | 1 | 27 | Ball Bearing | 1 | | | |
| 14 | O-Ring | 1 | 28 | Packing | 1 | | | |